



Glass & Glazing Federation Member



Official Police Security Initiative

ALUK[®]

AluK BSC94 Inline Sliding Door

MODERN
VERSATILE
PREMIUM



BSC94 INLINE SLIDING DOOR

Combining high performance with stunning design, our sliding aluminium door systems provide a versatile solution for any architectural project. Manufactured to the highest UK standards, this multi-configuration inline system offers outstanding thermal performance and a wide range of customisable options.

DESIGN FEATURES

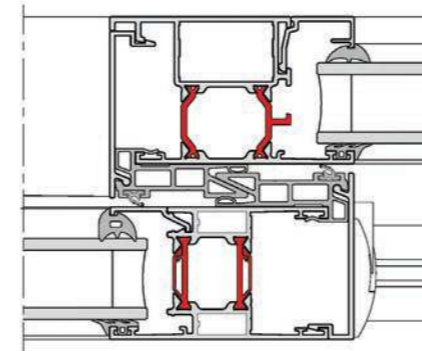
- Accepts 20 – 31mm double glazing
- Max 400kg panel weight
- Certified PAS 24
- Anti bi-metal polyamide strip to allow for varying expansion rates

OPTIONS

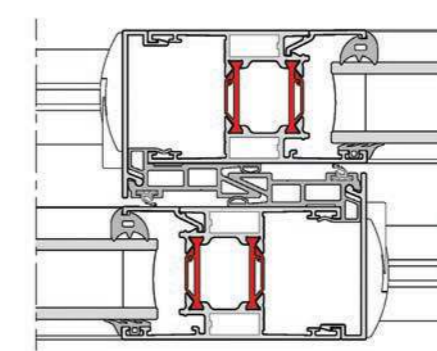
- Available as Lift & Slide
- Slimmer sightline of 45mm available
- Multiple sliding configurations
- Mono, Dual or Tri rail options
- Available in single and dual colour, anodised finishes also available
- Range of hardware and security features



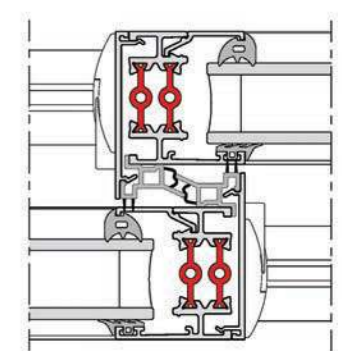
Mono Rail — Interlock



Dual/Tri Rail — Standard Interlock



Dual/Tri Rail — Standard Slimline

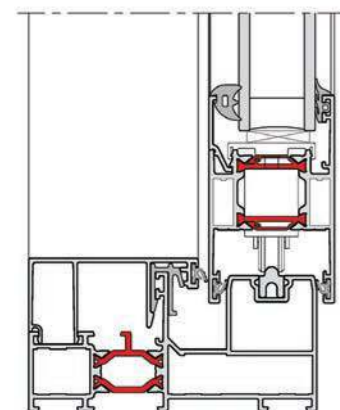


SPECIFICATIONS

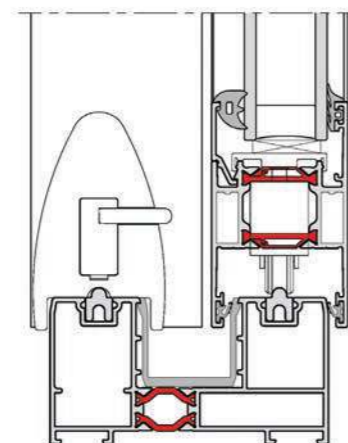
PERFORMANCE & ACCREDITATION	BSC94	BSC94SLIM
U-value (Double Glazing)* (Ug = 1.0W/m²K) (Mono Rail)	1.7 W/m²K	✗
U-value (Triple Glazing)* (Ug = 0.7W/m²K) (Mono Rail)	1.5 W/m²K	✗
U-value (Double Glazing)* (Ug = 1.0W/m²K) (Dual Rail)	1.9 W/m²K	1.9 W/m²K
U-value (Triple Glazing)* (Ug = 0.7W/m²K) (Dual Rail)	1.7 W/m²K	1.6 W/m²K
Green Guide Rating	C Rated	C Rated
Acoustic performance (dB)	Rw (C;Ctr) 36 (-1;-3) dB**	npd
Air Tightness (Pa)***	Class 4 (600 Pa)	Class 4 (600 Pa)
Water Tightness (Pa)***	Class 7a (300 Pa)	Class 7a (300 Pa)
Wind Load (Pa)***	C4 (1600 Pa)	C4 (1600 Pa)
Security — PAS24	✓	✗
CONFIGURATION & FRAME		
Opening	Inline Sliding	Inline Sliding
Mono Rail (105mm)	✓	✗
Dual Rail (94mm)	✓	✓
Tri Rail (155mm)	✓	✓
SIZE LIMITS		
Max Vent Weight****	400 kg	400 kg
Max Frame Height*	3000mm	3000mm
Max Frame Height with Security Features	2600mm	✗
SYSTEM FEATURES		
Sightline	85mm	45mm
Dual Colour Option	✓	✗
Multi-point Locking	✓	✓
Glazing Options	Internal	Internal
Glazing Thickness	20mm-31mm	20mm-31mm

* U-Value (Double Glazing) - Single Doors are calculated using EN ISO 10077 - Part 2, 1000mm x 2180mm Single Door with Ug: 1.0W/m²K using AW604 outerframe and AD200/AD201 vent. Double Doors are calculated using EN ISO 10077 - Part 2, 2000mm x 2180mm Single Door with Ug: 1.0W/m²K using AW604 outerframe and AD200/AD201 vent.
 † U-Value (Triple Glazing) - Single Doors are calculated using EN ISO 10077 - Part 2, 1000mm x 2180mm Single Door with Ug: 0.7W/m²K using AW604 outerframe and AD200/AD201 vent. Double Doors are calculated using EN ISO 10077 - Part 2, 2000mm x 2180mm Single Door with Ug: 0.7W/m²K using AW604 outerframe and AD200/AD201 vent.

Mono Rail — Cill



Dual Rail — Cill



Tri Rail — Cill

